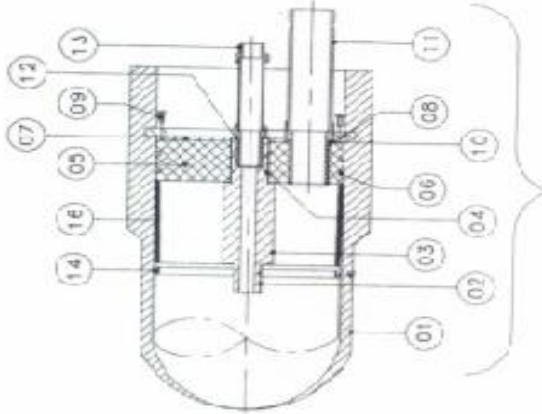
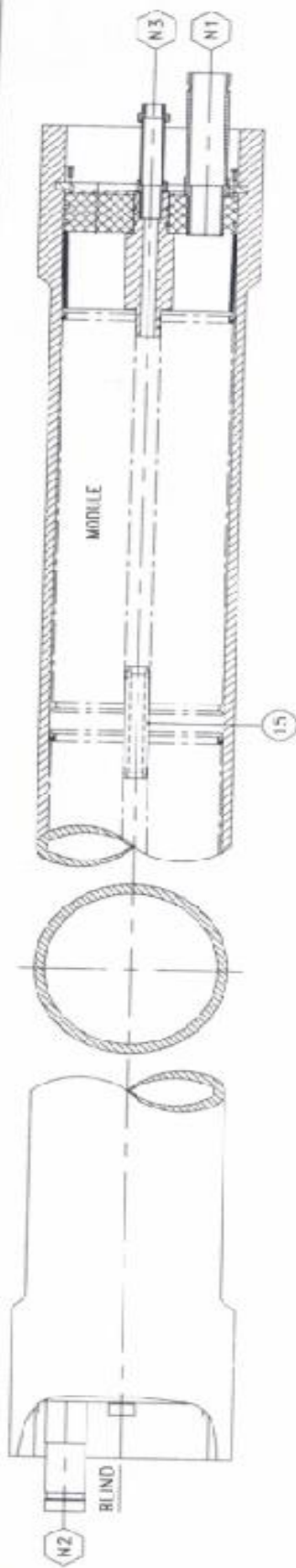
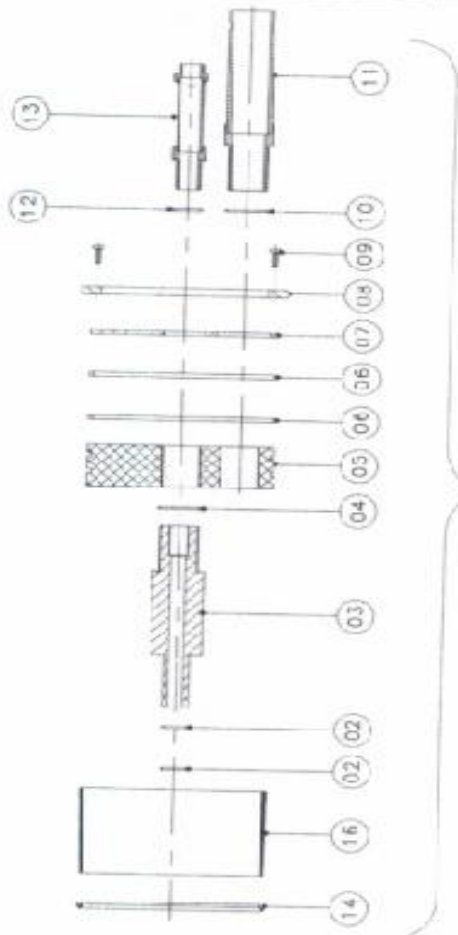


"PERMA" FRP PRESSURE VESSEL FOR STANDARD 8"Ø MEMBRANE ELEMENT

DRG. NO. : PS/1000-02



SECTION THROUGH END CLOSURE



EXPLODED VIEW

PERMEATE OUTLET (N3)	3/4" BSP (M)
CONCENTRATE OUTLET (N2)	1 1/2" VCTAULIC
FEED INLET (N1)	1 1/2" VCTAULIC
NOZZLE	SIZE
NOZZLE SCHEDULE	

16	RETAINING RING	
15	MODULE CONNECTOR WITH 'O' RING	
14	BRINE SEAL	
13	PERMEATE NOZZLE	
12	PERMEATE NOZZLE 'O' RING	
11	INLET/OUTLET CONNECTOR	
10	INLET/OUTLET CONN. 'O' RING	
09	LOCKING SCREW	
08	LOCKING RING	
07	SUPPORT PLATE	
06	END PLUG 'O' RING	
05	END PLUG	
04	END CONNECTOR 'O' RING	
03	END CONNECTOR	
02	MEMBRANE END CONNECTOR 'O' RING	
01	PRESSURE VESSEL	
NO. / SR		PART NAME

NOTES:-

- 1). ALL DIMENSIONS ARE IN MM UNLESS OTHERWISE MENTIONED.
- 2). NOT TO BE USED FOR CONSTRUCTION UNLESS CERTIFIED.

IMPORTANT NOTES:-

- 1). APPLY SILICON COMPOUND GREASE ON ENL. PLUG 'O' RING AND INNER SURFACE OF PRESSURE VESSEL DURING ASSEMBLY OF END PLUG INSIDE THE PRESSURE VESSEL.
- 2). CLEAN PROPERLY THE INNER SURFACE OF PRESSURE VESSEL AND APPLY SILICON COMPOUND GREASE TO REMOVE THE END PLUG OF PRESSURE VESSEL.

DIMENSIONAL VARIANCE ARE SUBJECT TO CHANGE WITHOUT PRIOR NOTICE.